

OWNER'S MANUAL

**MODEL NO.
625.384540**

Caution:
Read and Follow All
Safety Rules, Installation
and Operating
Instructions Before First
Use of This Product.

If you have questions when
installing, operating or main-
taining your reverse osmosis
system, call this toll-free
number...

1-800-426-9345
(M - F, 7 am - 8 pm, CST)

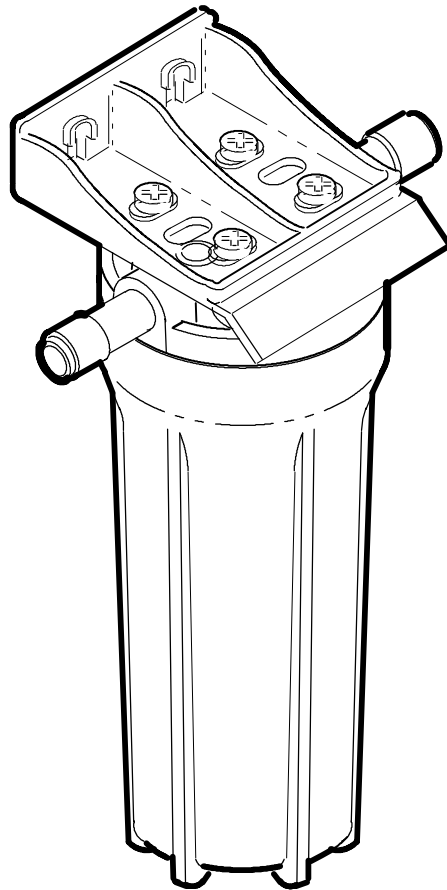
For repair or replacement
parts, call this toll-free num-
ber...

1-800-366-7278

See back cover for other
Sears service numbers.

www.KenmoreWater.com

SAVE THIS MANUAL



UNDERSINK WATER FILTER HOUSING

- ◆ Safety Guides
- ◆ Installation
- ◆ Operation
- ◆ Cartridge Replacement
- ◆ Repair Parts

System tested and certified by NSF International
to NSF/ANSI Standard 42 for the reduction of the
claims specified on the performance data sheet.



Sears, Roebuck and Co., Hoffman Estates, IL 60179 USA

7266657 (Rev. A 4/5/04)

SAFETY GUIDES / SPECIFICATIONS

▲ Please read this entire manual before installing and using your undersink water filter housing. Be sure to follow all guides and rules carefully. Failure to follow them could cause personal injury or property damage.

▲ Check with your local public works department for plumbing codes. You must follow their guides as you install the water filter housing. In Massachusetts, plumbing codes of Massachusetts shall be adhered to. Consult with your licensed plumber.

▲ Use the filter on a potable, safe-to-drink, home COLD water supply only. The filter

cartridge will not purify water, or make it safe to drink. **DO NOT** use on HOT water (100°F, max.). Do not use with water that is microbiologically unsafe or of unknown quality without adequate disinfection before or after the system.

▲ Protect the water filter housing and piping from freezing. Water freezing in the housing will break it.

▲ Your undersink water filter housing works on water pressures of 30 psi (minimum) to 100 psi (maximum). If your house pressure is over the maximum, install a pressure reducing valve in the water supply pipe to the water filter.

Min. - Max. Supply Water Pressure	30 - 100 psi
Min. - Max. Supply Water Temperature	40 - 100 °F
Inlet - Outlet Thread Size	1/4" Quick connect fittings and tubing included
Rated Service Flow	0.6 gpm at 60 psi

WARRANTY

FULL ONE YEAR WARRANTY ON UNDERSINK WATER FILTER HOUSING

For one year from the date of purchase, Sears will replace this Undersink Water Filter Housing, (except filter cartridge, which is purchased separately), free of charge, if defective in material or workmanship.

WARRANTY IS AVAILABLE BY SIMPLY RETURNING THE WATER FILTER HOUSING TO THE NEAREST SEARS STORE THROUGHOUT THE UNITED STATES.

This warranty gives you specific legal rights, and you may have other rights which vary from state to state.

Sears, Roebuck and Co., DEPT. 817 WA, Hoffman Estates, IL 60179

TABLE OF CONTENTS

Planning Your Installation	3
Typical Undersink Installation	4
Tools and Materials Needed	4
Installation Steps	5
Install Cold Water Supply Fitting	5
Make Hole for Filtered Water Faucet	6
Assemble and Install Faucet	6
Make Tubing Connections	7
Filter Cartridge Installation	7
Using the System	8
Filter Cartridge Life	8
Filter Cartridge Replacement	9
Repair Parts	10

PLANNING YOUR INSTALLATION

When planning your installation, use the drawing below and on page 5 to guide you. There are many variables to consider as you plan. Some of these are:

- ✓ the water filter housing inlet and outlet connections are 1/4" QC.
- ✓ existing plumbing type (copper, threaded, etc.) and nominal size (1/4", 3/8" etc.)
- ✓ tools you have, and your plumbing skills
- ✓ cost of materials needed
- ✓ space available for installing the filter housing

Make a simple sketch of your proposed installation, and a list of plumbing materials you will need. Obtain every thing you need before starting the installation. Be sure you have the tools required.

TYPICAL UNDERSINK INSTALLATION

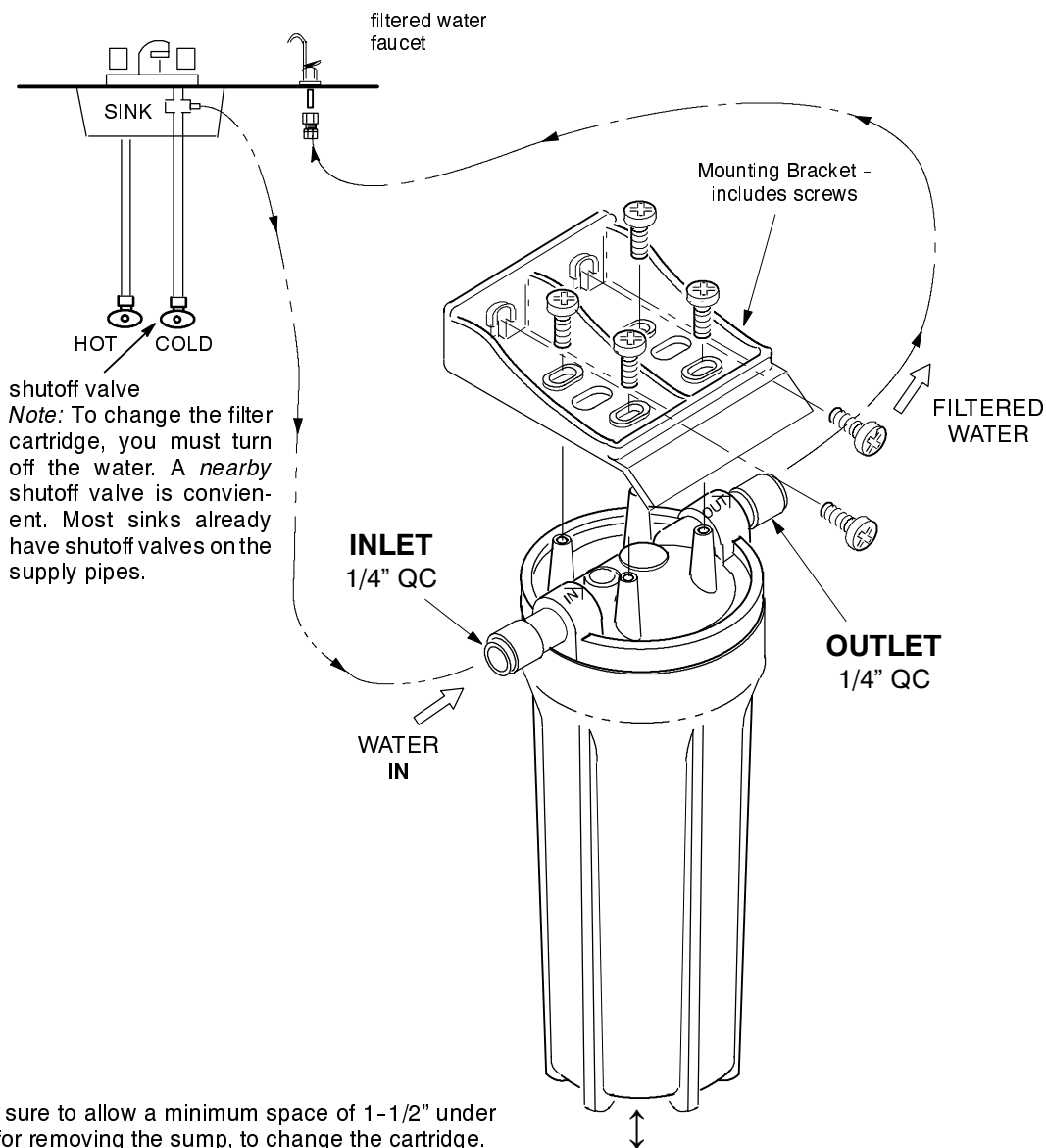


Figure 1

TOOLS AND MATERIALS NEEDED

- ▶ plumbers putty
- ▶ slotted and Phillips screwdrivers
- ▶ pliers and adjustable jaw wrench
- ▶ tubing cutter
- ▶ sandpaper or emery-cloth
- ▶ electric drill and 3/4" drill bit if mounting hole is needed for the faucet

INSTALLATION STEPS

Step 1. INSTALL COLD WATER SUPPLY FITTING

Check and comply with local plumbing codes as you plan, then install a cold feed (supply) water fitting. The fitting must provide a leak-tight connection to the water filter 1/4" tubing. A typical connection using the included water supply fitting is shown in Figure 2 - A. An optional connection using standard plumbing fittings (not included), is shown in Figure 2 - B.

A. WATER SUPPLY FITTING

1. Close the house main water shutoff valve and open faucets to drain water from the sink cold water pipe.
2. Remove nut that connects the cold water faucet to cold water plumbing.
3. Thread water supply fitting onto pipe and reconnect nut to bottom of fitting. Be sure to use a light coating of pipe joint compound or Teflon tape (included) on outside threads.

B. OPTIONAL PIPE FITTINGS

(compression type shown)

Note: Be sure to turn off the water supply and open a low faucet to drain the pipe.

Complying with plumbing codes, install a fitting on the cold water pipe to adapt 1/4" OD tubing. A typical connection is shown in Figure 2 - B. If threaded fittings are used, be sure to use pipe joint compound or Teflon tape on outside threads.

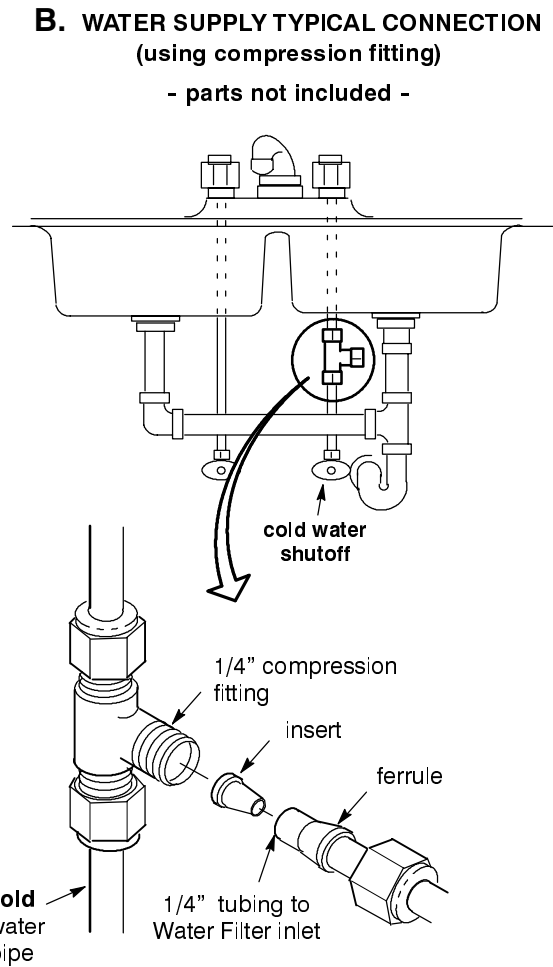
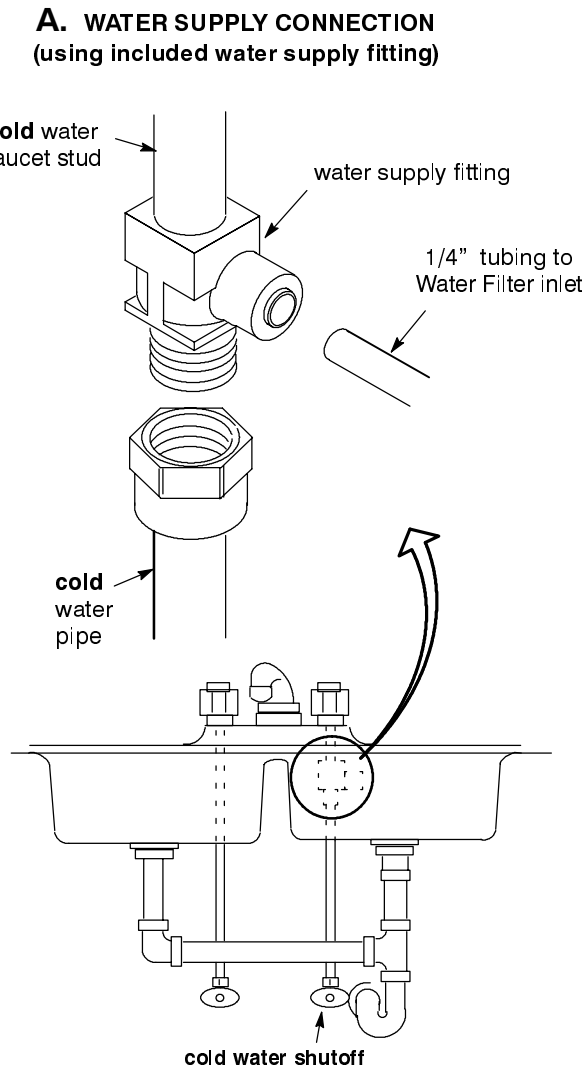


Figure 2

INSTALLATION STEPS

Step 2. MAKE HOLE FOR FILTERED WATER FAUCET

Select one of the following places to install the faucet. Be sure there's room underneath so you can make the needed connections.

- In an existing sink spray attachment hole.
- Drill a hole in the sink top.
- Drill a hole in the countertop next to the sink.

CAUTION: Drilling holes into countertops made of stone or solid surface materials such as granite, marble, Corian™ or other plastic resin products should only be performed by a fabricator installer who is certified for fabricating such materials. Drilling of these type surfaces by any other means may

cause permanent, irreparable damage to the countertop surface.

1. If drilling is needed make a 3/4" dia. (minimum) hole for the faucet.
2. Place plumbers putty around the drilled hole to prevent water leaks around the faucet.

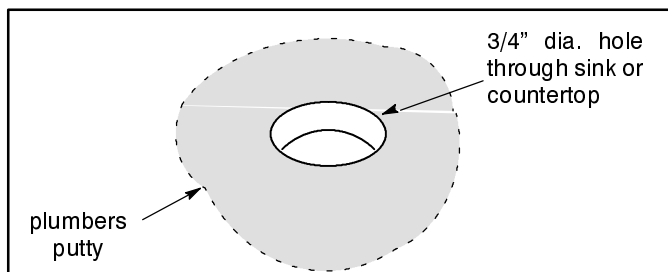


Figure 3

Step 3. ASSEMBLE AND INSTALL FAUCET

Note: If the faucet is not assembled, slide the lever over the cylindrical nut. Then push or turn the spout into the faucet body.

1. Faucet, Figure 4:

A. If not already assembled, install the rubber washer, spacer, flat (or lock) washer and hex nut onto the threaded faucet stud.

B. Apply Teflon tape to the end of the faucet stud. Turn the tubing adapter onto the stud and hand tighten, **then wrench 1/4 turn only. BE CAREFUL NOT TO CROSS THREAD.**

3. Wet the o-ring seals on the faucet spout. Then, remove and discard the short piece of tubing from the faucet body and insert the spout in it's place.

4. Connect tubing to faucet as follows.

5. Lower the faucet into the sink or countertop hole.

6. On the underside of the sink or countertop insert the large steel washer between the mounting hole and the spacer on the faucet stud (see assembled view). Then turn the hex nut up to the spacer and tighten. **Tighten the hex nut so the faucet can not move, but do not overtighten and break the faucet.**

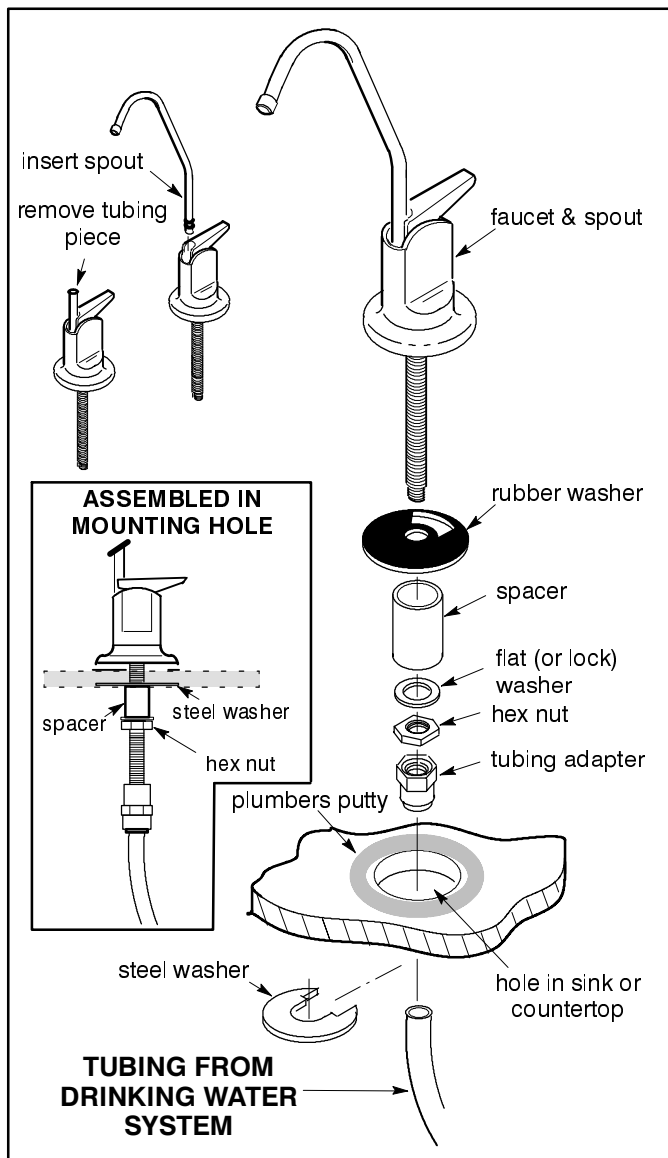


Figure 4

INSTALLATION STEPS

Step 4. MAKE TUBING CONNECTIONS

This system includes push-in fittings for quick tubing connection at most locations. If working with the fittings do the following.

1. Allowing some slack, measure and cut a length of 1/4" tubing to connect between the supply fitting and the filter system inlet, Figure 1. Use a sharp cutter or knife to cut the end of tubing square.
2. Inspect the end (about 1") of the tubing to be sure there are no nicks, scratches or other rough spots. If needed cut the tubing again.
3. Push tubing through the collet and all the way into fitting. Full engagement is 11/16" for 1/4" tubing, and 3/4" for 3/8" tubing. Pull on the tubing to be sure that it's held firmly in the fitting.

If tubing other than supplied with the system is used, be sure it is of high quality, exact size and roundness with a smooth surface.

To Disconnect Tubing: Push the collet inward and hold with a finger while pulling the tubing out.

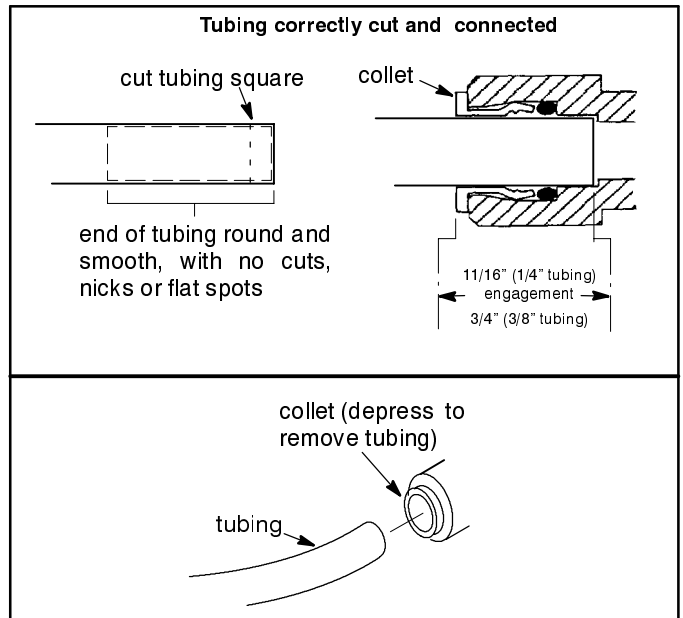


Figure 5

CAUTION

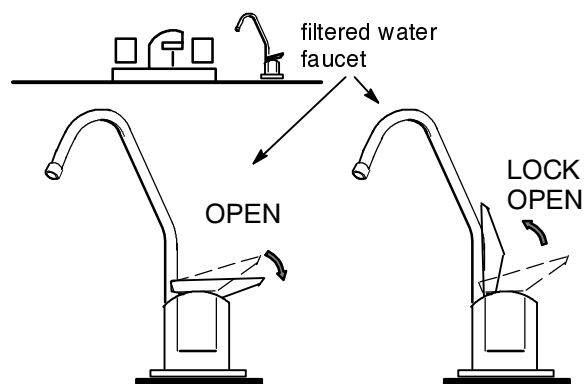
DO NOT USE VINEGAR, OR OTHER ACID BASED CLEANERS ON THIS SYSTEM. THEY WILL DEGRADE SOME SYSTEM PARTS. ALWAYS USE SOAP AND WATER.

FILTER CARTRIDGE INSTALLATION

TURN TO PAGE 9 AND FOLLOW ALL STEPS UNDER "FILTER CARTRIDGE REPLACEMENT".

USING THE SYSTEM

The sink or countertop faucet vends the filtered water when opened. It has a hand operated, spring loaded closed lever to prevent waste. You can also keep the faucet open by pushing upward on the lever and locking it against the faucet spout.



FILTER CARTRIDGE LIFE

Several variables determine how long a cartridge will last. These include:

1. how much water you use.
2. how much sediment, taste and/or odor, or other unwanted substance, is in the water.

Use the following information as a guide. However, no matter which type of cartridge you are using, you will know **it is time to replace it when you first notice the return of the unwanted substance in your water.**

Kenmore Undersink Water Filter Housing model 625.384540 with replacement filter 42-34373 has been tested and certified by NSF International for the reduction of chlorine, taste and odors. The rated capacity for this system is 4500 gallons.

Other filter cartridges are available from Sears to remove sediments, tastes and odors. Following is a list of filter cartridges available.

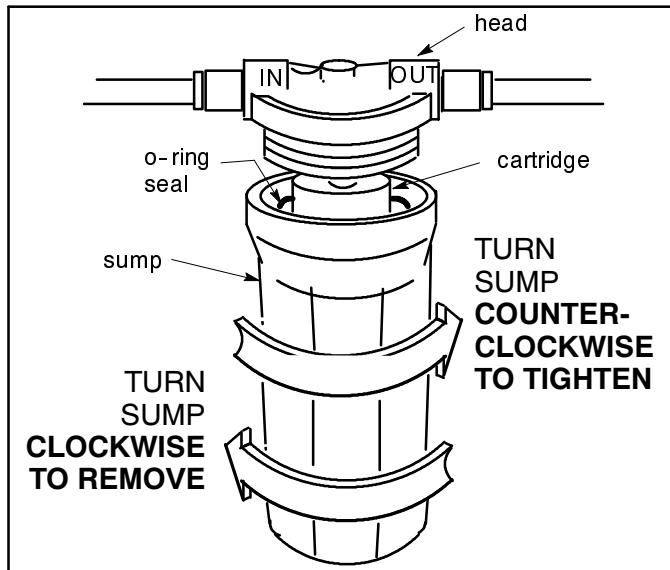
Taste and Odor Cartridges: Many bad tastes and/or odors are removed from water by an activated carbon cartridge. It is most often used to remove chlorine taste and smell.

Note: Small amounts of hydrogen sulfide (noticeable as "rotten egg" odor) may be reduced by taste and odor filters for a short time, quickly exhausting the carbon media. Consult your Sears store for proper continuous treatment.

FILTER CARTRIDGE REPLACEMENT

CAUTION: Never remove the sump with water pressure in the filter.

1. Close the nearest shutoff valve on the water supply pipe to the filter. To relieve pressure in the filter, open the filtered water faucet.
2. Turn the sump off of the filter head, to the left or clockwise. Be careful, the sump is full of water. Do not lose the large o-ring seal.



Note: A **special wrench** is included for removing the sump. See the parts list on page 10.

3. Be sure the inside of the sump is clean. Use hot, soapy water.
4. Remove the wrapper from the new filter cartridge and insert the filter cartridge in the sump. Some cartridges fit either way, while others fit only one way.

Observe markings on the cartridge, or on the wrapper.

5. Lightly lubricate the o-ring seal in the sump with silicone grease or Vaseline. Be sure it is fully seated in the groove.
6. Hold the sump up to the filter head aligning the center hole in the cartridge with the protrusion on the bottom of the head.

Note: If the sump will not tighten up to the head you may have the cartridge in upside down. Take the cartridge out and check for correct orientation.

7. Being careful not to cross-thread, turn (counter-clockwise) the sump onto the filter head and tighten securely.

8. Open the sink cold faucet. **Then** slowly open the water supply shutoff valve and allow the filter housing to fill.

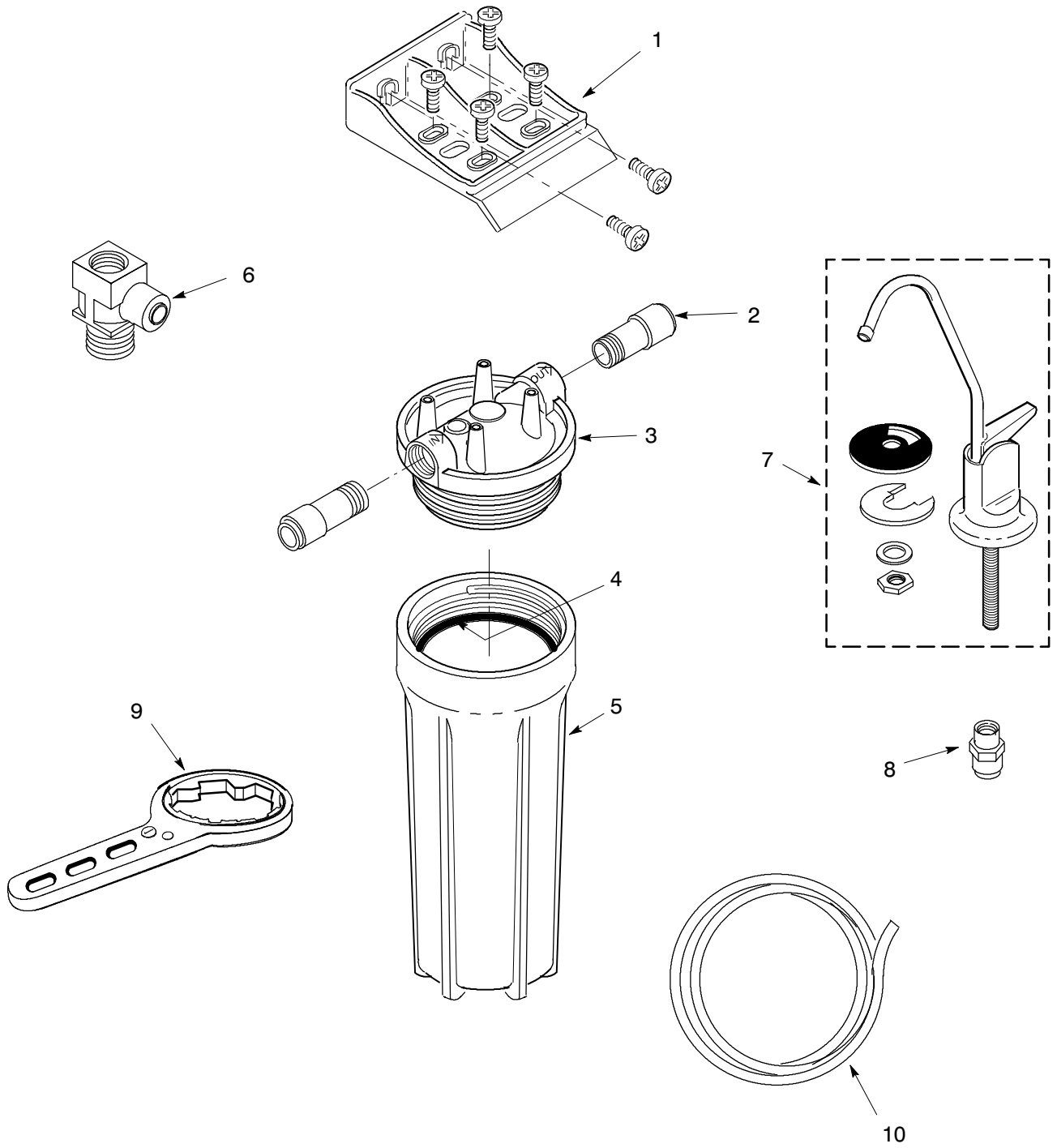
9. Close the sink faucet. Then check for leaks between the sump and the head.

Note: **If leaking** turn off the water supply and open the sink cold faucet to depressurize the filter. Then disassemble the filter and check the o-ring for cuts, flat spots, etc., and sealing surfaces for foreign material. Clean the o-ring and lubricate with silicone grease or Vaseline. Carefully press into the groove in the sump.

10. **Taste and Odor Cartridges:** A taste and odor cartridge contains activated carbon, a black powder. After the new cartridge is installed open the filtered water faucet and allow fine, harmless carbon particles to purge from the cartridge. Close the faucet when you no longer see the "fines" in the filtered water, or approximately 2 - 3 minutes.

REPAIR PARTS

Kenmore Undersink Water Filter Housing, Model No. 625.384540



REPAIR PARTS

Kenmore Undersink Water Filter Housing, Model No. 625.384540

KEY NO.	PART NUMBER	DESCRIPTION
1	7231296	Mounting Bracket (includes screws)
2	7266699	Connector, 3/8" NPT x 1/4" Quick Connect (2 req'd)
3	7156535	Head
4	7170246	O-ring, 3-3/8" I.D. x 3-5/8" O.D.
5	7156577	Sump
6	7227310	Tee, Feed Adaptor
7	7228510	Faucet
8	7267174	Faucet Adaptor
9	7193066	Sump Removal Wrench
10	7253866	Tubing, 1/4" x 72"
■	42-34373	Premium Taste & Odor Cartridge, 98% chlorine reduction

■ Available from Sears (at time of printing), not illustrated, and not included with Water Filter Housing.

OWNERS MANUAL

MODEL NO.
625.384540

The model number of your water filter housing is found on the rating decal, on the filter sump.

When requesting service or ordering parts, always provide the following information:

- ◆ Product Type
- ◆ Model Number
- ◆ Part Number
- ◆ Part Description

www.KenmoreWater.com



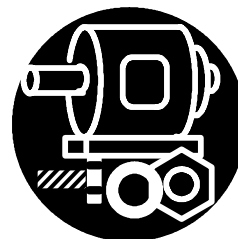
UNDERSINK WATER FILTER HOUSING

For the repair or replacement parts you need

Call 7 am - 7 pm, 7 days a week

1 - 800 - 366 - PART

(1 - 800 - 366 - 7278)



For in-home major brand repair service

Call 24 hours a day, 7 days a week

1 - 800 - 4 - REPAIR

(1 - 800 - 473 - 7247)



For the location of a
Sears Repair Service Center in your area

Call 24 hours a day, 7 days a week

1 - 800 - 488 - 1222



For information on purchasing a Sears
Maintenance Agreement, or to inquire
about an existing Agreement

Call 9 am - 5 pm, Monday - Saturday

1 - 800 - 827 - 6655



SEARS
REPAIR SERVICES

America's Repair Specialists